

Manual shut off valve

CONSTRUCTION:

The valve body is of forged brass. The valve wheel is of plastic with metallic insert. The flowing medium is separated from the spindle and cover with stainless steel diaphragms for the best external leak tightness, in event of crack of the diaphragms it is possible to tight the fully open valve turning spindle maximally counter-clockwise. When the valve is fully closed the outflow of medium is not possible. The valve head sealing is of plastic; the tightening moment is 4 Nm for bigger port sizes.

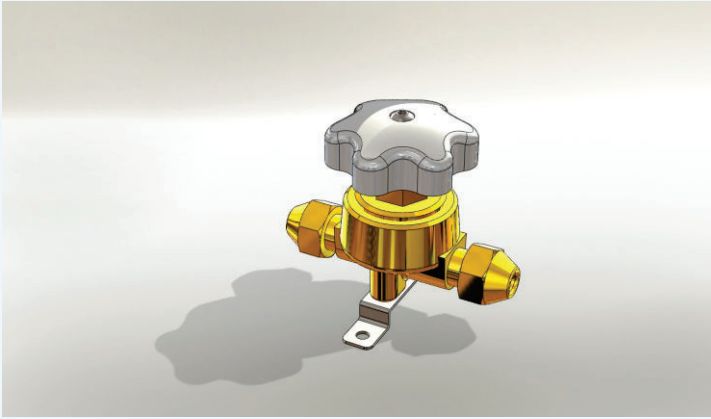
MOUNTING:

These valves can be mounted in any position using the added base. They have flare connections acc. to DIN 8912. The flow direction should be in accordance with the arrow marked on the body. The access to the valve wheel should be convenient.

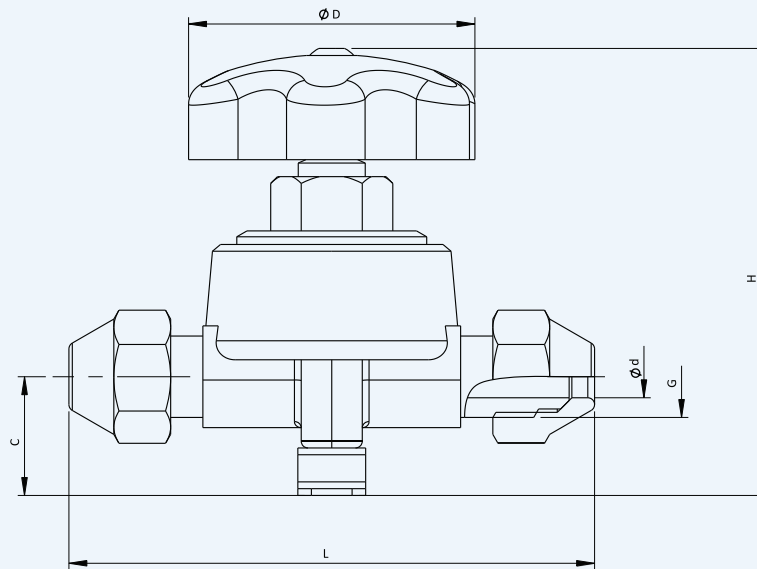
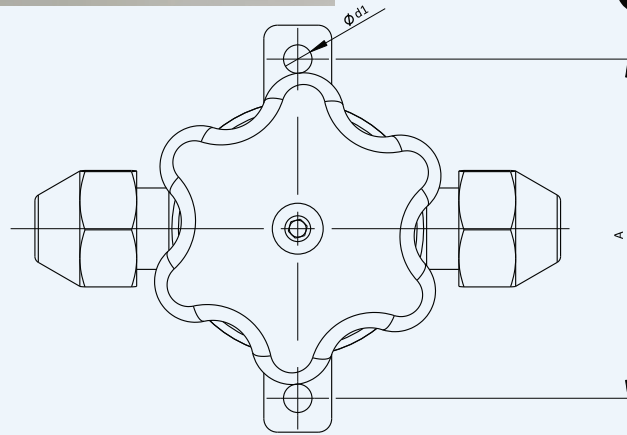
APPLICATION:

The ZO shut-off valves are designed for manual closing and opening the flow of fluorinated refrigerants and other non-corrosive to copper alloys media. They have diaphragm inner sealing so they are not recommended for use where is high operating frequency. The flowing medium must be free of mechanical impurities. These valves are approved by Polish Register of Shipping (PRS).

Refrigeration



Manual shut off valve



BODY	FACH code	Type	G	φ d	φ d1	H	L	A	C	φ D	weight
				[mm]							
Brass	1555-0011	ZO-6	M12x1,5	6,2	4,2	68	77	50	17,5	46	0,3
	1555-0012	ZO-8	M14x1,5	8,2	4,2	72	85	50	19	46	0,35
	1555-0013	ZO-10	M16x1,5	10,2	4,2	72	85	50	19	46	0,4
	1555-0014	ZO-12	M18x1,5	12,2	5,3	82	97	56	22	62	0,55
	1555-0016	ZO-16	M24x1,5	16,3	6,3	97	118	70	26,5	76	0,95
	1555-0018	ZO-20	M30x2	20,3	6,3	102	132	70	29,5	76	1,2

FABRYKA AUTOMATYKI „FACH” Spółka Akcyjna ul. Stawowa 50, 43-400 Cieszyn

tel.: +48 (0...33) 852 25 80 ÷ 84, fax: +48 (0...33) 852 10 85 e-mail: fach@fach.pl

Dział Sprzedaży i Marketingu

Sekcja Kraj tel: +48 (0...33) 851 67 78 – 79, fax: +48 (0...33) 851 67 88 e-mail: sprzedaz@fach.pl

Sekcja export: tel./fax +48 (0...33) 851 67 77 e-mail: marketing@fach.pl

Dział Zaopatrzenia

+48 (0...33) 851 67 80, fax: +48 (0...33) 852 10 85 e-mail: zaopatrzenie@fach.pl



TÜVRheinland®
CERT
ISO 9001

