

Solenoid valve ZE

CONSTRUCTION:

The ZE solenoid valves are pilot operated and normally closed. When energized the plunger lifts off and open the pilot orifice. The pressure above the diaphragm is reduced to the outlet pressure of the valve. The resulting pressure differential across the diaphragm lifts the diaphragm off the main port, opening the valve. These valves cannot be manually operated.

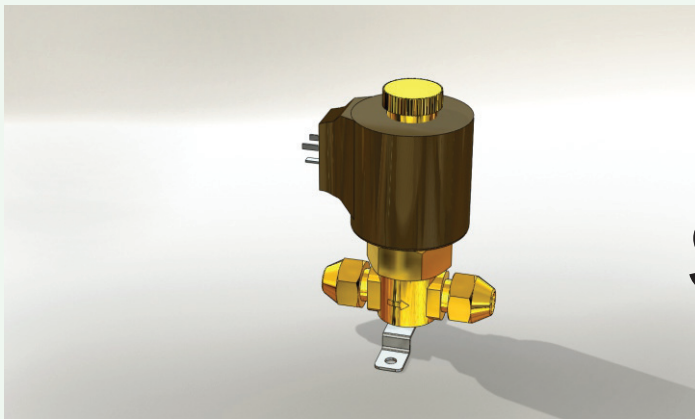
The valve body and head are made of forged brass. The other parts are of stainless steel and corrosion proof alloys. The diaphragm is of rubber resistant to media the valve is designed for.

MOUNTING:

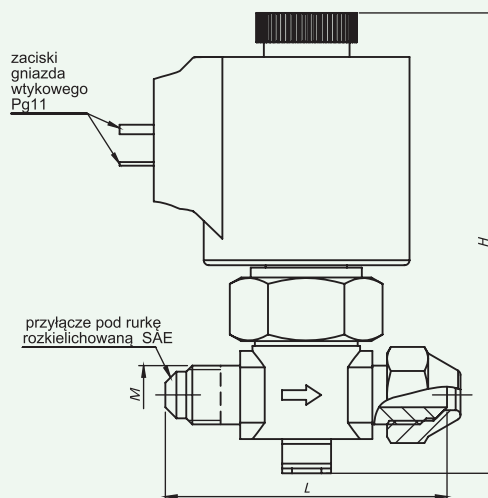
These valves should be mounted in a vertical position with the coil upward by using two holes at the body bottom and base with two M5x10 screws added to the valve. The flow direction should be in accordance with the arrow marked on the valve body. Mechanical impurities in the medium may disturb the proper functioning of the valve therefore the proper strainer should be installed ahead of the valve. After mounting the valve (except of low voltage valves) should be earthed by using the earth.

APPLICATION:

The ZE cut-off solenoid valves can be used to control the flow in positive, fully closed or fully open mode for hydraulic or pneumatic systems, for media specified in technical data. They may be operated by a variety of electrical switches, temperature or pressure controls and other elements used in automatic systems.



Solenoid valve ZE



There is a possibility to order the products, customized to the specific customer needs.
*rate of water flow at 1bar pressure drop across the valve

FACH code	Type	medium	Connection	L	H	maximum pressure difference		nominal pressure	Flow coefficient kV*	Voltage	Power	Duty cycle
				[mm]	[mm]	~AC	-DC	PN [MPa]	[dm ³ /min.]	[V]	[VA]	
0256-2002	ZE-3	air	M12x1,5	58	95	2	1	2,5	3	~230	17	continuously S1
0256-4002		water	M12x1,5	58	95	1,2	0,6			~24	17	continuously S1
0256-2003	ZE-4	air	M12x1,5	58	95	1,1	0,55	2,5	5	~230	17	continuously S1
0256-4003		water	M12x1,5	58	95	0,9	0,45			~24	17	continuously S1
0256-2302	ZE-3	air	G1/8" wewn.	36	95	2	1	2,5	3	~230	17	continuously S1
0256-4302			G1/8" wewn.	36	95	2	1			~24	17	continuously S1
0257-2004	ZE-10	air	M18x1,5	93	110	1,2	-	2,5	1,4	~230	22	continuously S1
		water	M18x1,5	93	110	1	-				22	continuously S1
0257-2104	ZE-10	air	G1/2" zewn.	93	110	1,2	-	2,5	1,4	~230	22	continuously S1
		water	G1/2" zewn.	93	110	1	-				22	continuously S1
0257-4004	ZE-10	air	M18x1,5	93	110	1,2	-	2,5	1,4	~24	22	continuously S1
		water	M18x1,5	93	110	1	-				22	continuously S1
0257-4104	ZE-10	air	G1/2" zewn.	93	110	1,2	-	2,5	1,4	~24	22	continuously S1
		water	G1/2" zewn.	93	110	1	-				22	continuously S1
0258-2304	ZE-16	air	G1/2" wewn.	62	120	1,2	-	2,5	2,7	~230	22	continuously S1
		water	G1/2" wewn.	62	120	0,8	-				22	continuously S1
0258-4304	ZE-16	air	G1/2" wewn.	62	120	1,2	-	2,5	2,7	~24	22	continuously S1
		water	G1/2" wewn.	62	120	0,8	-				22	continuously S1