

Flare Nuts

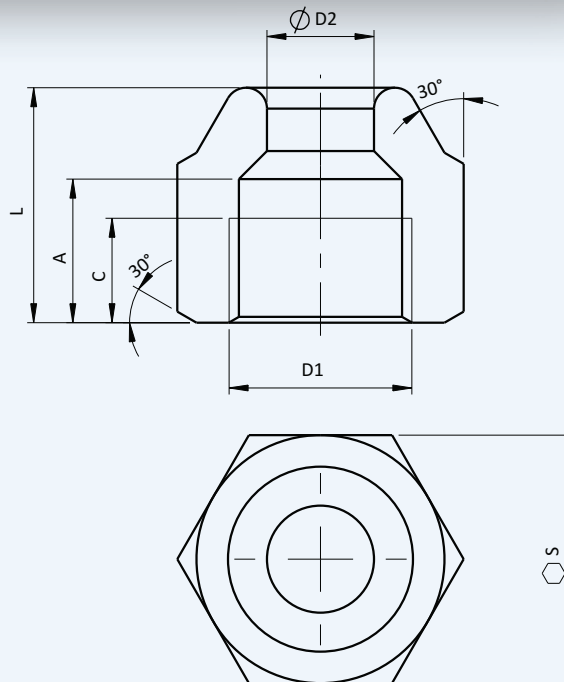
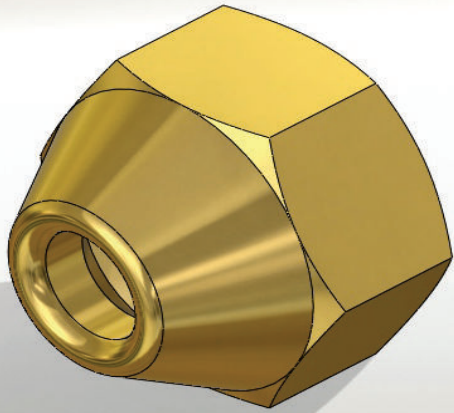
APPLICATION:

The flare nuts are used for connection of copper tubes to flare fittings acc. DIN-89. These connections are used throughout the refrigeration and air conditioning.

CONSTRUCTION:

The flare nuts are made of brass or zinc coated steel. All metric and UNF threads meet requirements or ISO or ASA standards accordingly.

Flare Nuts



Item FACH	Type	D1	D2	A	C	L	S
0100-0011	CNM10	M18x1,5	12,2	12	9	20	24
0100-0051	CNM8	M16x1,5	10,2	11	8	18	22
0100-0061	CNM6	M14x1,5	8,2	11	8	18	19
0100-0082	CNM4	M12x1,5	6,2	9,5	7	15	17
0100-0143	1/4"	7/16"-20 UNF	6,5	9,5	9,5	15	17
0100-0144	3/8"	5/8"-18 UNF	9,7	11	11	18	22
0100-0145	1/2"	3/4"-16 UNF	12,9	12	12	20	24
0100-0146	5/8"	7/8"-14 UNF	16,1	13	13	21	27