

## Suction line filter FS

### CONSTRUCTION:

The steel shell consists of two parts welded together. Inside is placed wire net. It has Schrader's valve for pressure gauge or other service equipment.

### MOUNTING:

The suction line strainers are installed into the pipe by flare connections acc to DIN 8912 or soldering. The direction of flow should be in accordance with the arrow marked on the shell. They may be mounted in any position.

### APPLICATIONS:

Suction line strainers are designed for use as an effective protection against harmful contaminations.

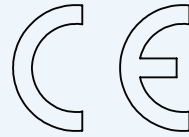
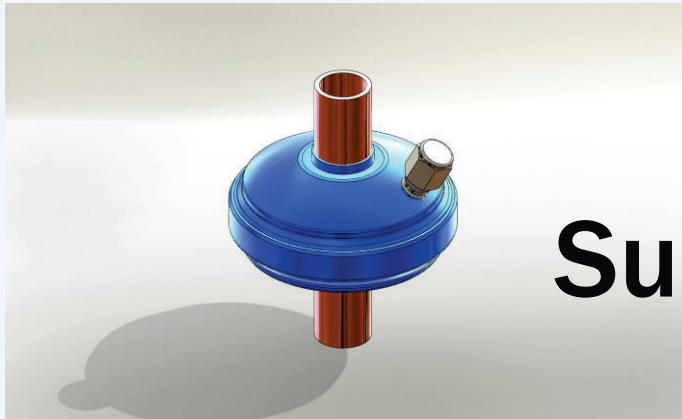
Features:

- high contaminations absorbing capacity,
- low pressure drop during normal operation,
- compatibility to all CFC, HCFC, HFC and HC refrigerants.

### CAUTION!

**DO NOT USE FOR R717 (NH<sub>3</sub>-ammonia)**

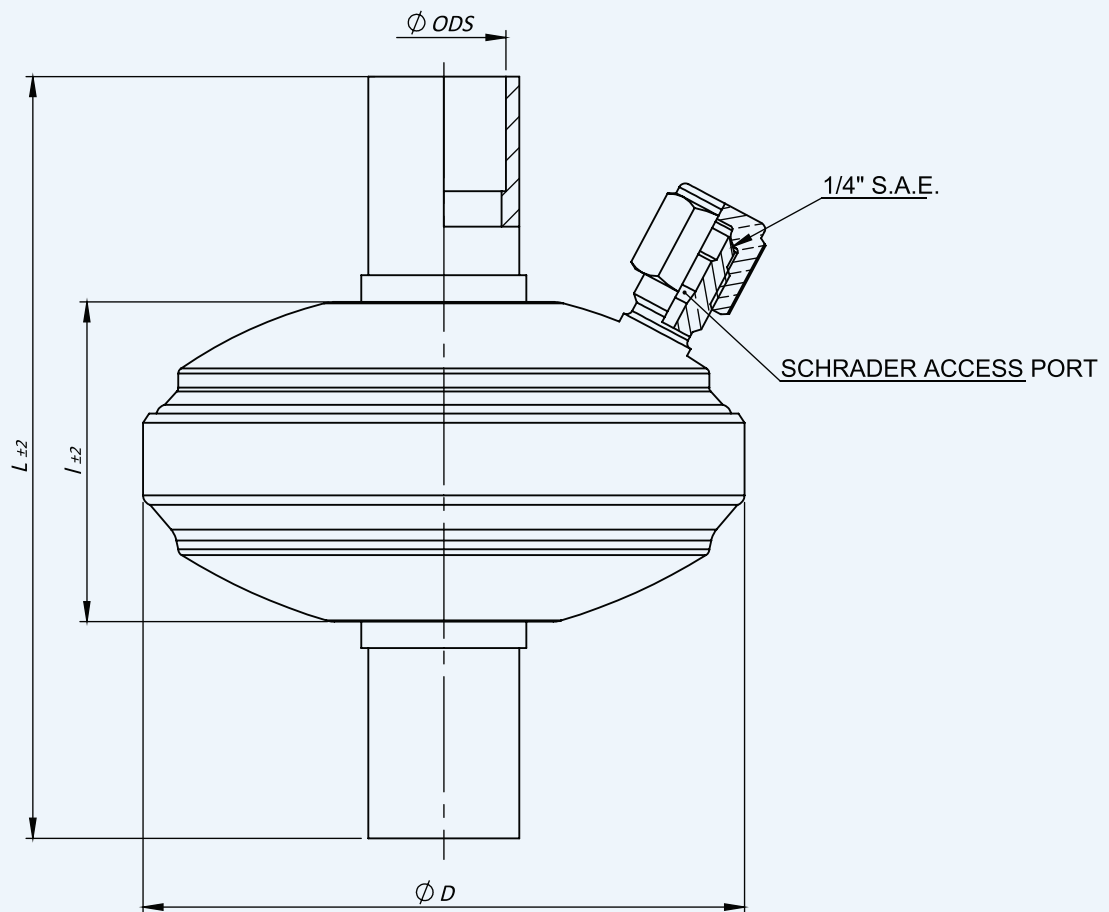
# Refrigeration



**Filter particles**

made according to directive  
97/23/EC (PED)  
Fluid group II

## Suction line filter FS



There is a possibility to order the products, customized to the specific customer needs.  
Before ordering please agree the color filter-standard color RAL5012 blue.

color	FACH code	Ø ODS	Ø D	L	l	filtering capacity	filtration surface
		mm	mm	mm	mm	mm	cm <sup>2</sup> /
blue	2012-2004	12	44	88	82	16,2	14,7
	2012-2005	16		93		15,9	14,4
	2012-2006	18		96		38,5	34,9

FABRYKA AUTOMATYKI „FACH” Spółka Akcyjna ul. Stawowa 50, 43-400 Cieszyn

tel.: +48 (0...33) 852 25 80 ÷ 84, fax: +48 (0...33) 852 10 85 e-mail: fach@fach.pl

Dział Sprzedaży i Marketingu

Sekcja Kraj tel: +48 (0...33) 851 67 78 – 79, fax: +48 (0...33) 851 67 88 e-mail: sprzedaz@fach.pl

Sekcja export: tel./fax +48 (0...33) 851 67 77 e-mail: marketing@fach.pl

Dział Zaopatrzenia

+48 (0...33) 851 67 80, fax: +48 (0...33) 852 10 85 e-mail: zaopatrzenie@fach.pl



TÜVRheinland®  
**CERT**  
ISO 9001

