



Filter drier FOM

Construction:

The filter drier shell is made of steel tube welded together with two cups with thread or solder connections. Thread connections are of nickel coated steel. Solder connections are of copper tubes. The shell is powder painted. The molecular sieve and alumina oxide inside shell is held down by steel net cup and steel spring. On the outlet of molecular sieve is placed special fibrous material for fine filtration.

Mounting:

The filter driers can be installed to pipe line by flare connections acc. to DIN 8912 or by soldering. They may be mounted in any position but the vertical position with top feed is highly recommended.

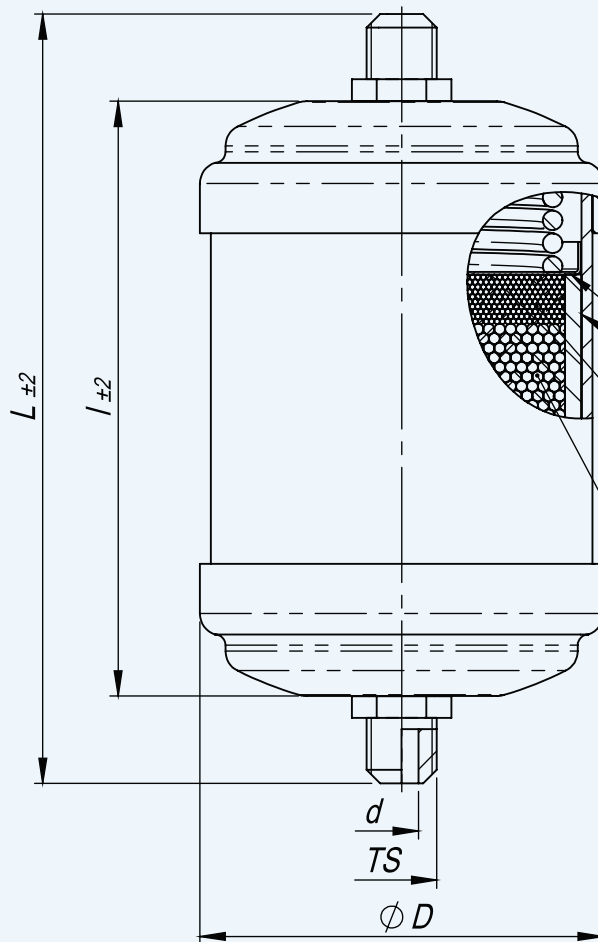
The direction of flow should be always in accordance with the arrow marked on the shell. Leaving the filter drier over a period of time without the protective caps on fittings causes reduction of water capacity.

Refrigeration



Filter drier
made according to directive
97/23/EC (PED)

FOM TS



/ Water capacity of liquid refrigerant in grams at +30°C /

		R134a	R22	R404A
type	160	25,8	24	26,4
	300	49,9	46,5	51,1

/ effective removal mechanical impurities /

/ effective deacidification /

/ effective and rapid removal humidity and high water absorption /

Refrigeration

FOM TS INCH

There is a possibility to order the products, customized to the specific customer needs.
Before ordering please agree the color filter-standard color RAL5012 blue.

color	FACH code	Type	∅ TS	∅ D	L	I	Flow capacity kW		
				mm	mm	mm	R22	R134a	R404A
blue	2007-6102	FOM-032C	7/16"-20UNF	49	107	65	9,5	8,62	6,23
	2007-6112	FOM-052C	7/16"-20UNF		120		78	9,3	8,43
	2007-6113	FOM-053C	5/8"-18UNF	130	98	30,8		27,9	20,2
	2007-6122	FOM-082C	7/16"-20UNF	140		8,77	7,95	5,76	
	2007-6123	FOM-083C	5/8"-18UNF	150	30	27,2	19,7		
	2007-6124	FOM-084C	3/4"-16UNF	158	47,5	43,1	31,2		
	2007-6132	FOM-162C	7/16"-20UNF	165	98	8,6	7,8	5,64	
	2007-6133	FOM-163C	5/8"-18UNF	175		29,3	26,6	19,2	
	2007-6134	FOM-164C	3/4"-16UNF	183	51,4	46,6	33,7		
	2007-6135	FOM-165C	7/8"-14UNF	187	73,4	66,6	48,2		
	2007-6143	FOM-303C	5/8"-18UNF	238	29,3	26,6	19,2		
	2007-6144	FOM-304C	3/4"-16UNF	246	51,4	46,6	33,7		
	2007-6145	FOM-305C	7/8"-14UNF	250	73,4	66,6	48,2		

FOM TS METRIC

There is a possibility to order the products, customized to the specific customer needs.
Before ordering please agree the color filter-standard color RAL5012 blue.

color	FACH code	Type	∅ TS	∅ D	L	I	Flow capacity kW		
				mm	mm	mm	R22	R134a	R404A
blue	2007-5101	FOM-031	M14x1,5	49	113	65			
	2007-5102	FOM-032	M12x1,5		110		9,5	8,62	6,23
	2007-5111	FOM-051	M14x1,5	59	125	78			
	2007-5112	FOM-052	M12x1,5		122		9,3	8,43	6,1
	2007-5113	FOM-053	M16x1,5	126	30,8	27,9	20,2		
	2007-5121	FOM-081	M14x1,5	59	146	98	8,77	7,95	5,76
	2007-5122	FOM-082	M12x1,5		142		30	27,2	19,7
	2007-5123	FOM-083	M16x1,5	146	47,5	43,1	31,2		
	2007-5124	FOM-084	M18x1,5	157	47,5	43,1	31,2		
	2007-5131	FOM-161	M14x1,5	76	171	123			
	2007-5132	FOM-162	M12x1,5		167		8,6	7,8	5,64
	2007-5133	FOM-163	M16x1,5	171	29,3	26,6	19,2		
	2007-5134	FOM-164	M18x1,5	182	51,4	46,6	33,7		
	2007-5135	FOM-165	M24x1,5	190	73,4	66,6	48,2		
	2007-5143	FOM-303	M16x1,5	234	29,3	26,6	19,2		
	2007-5144	FOM-304	M18x1,5	245	51,4	46,6	33,7		

FABRYKA AUTOMATYKI „FACH” Spółka Akcyjna ul. Stawowa 50, 43-400 Cieszyn

tel.: +48 (0...33) 852 25 80 ÷ 84, fax: +48 (0...33) 852 10 85 e-mail: fach@fach.pl

Dział Sprzedaży i Marketingu

Sekcja Kraj tel: +48 (0...33) 851 67 78 – 79, fax: +48 (0...33) 851 67 88 e-mail: sprzedaz@fach.pl

Sekcja export: tel./fax +48 (0...33) 851 67 77 e-mail: marketing@fach.pl

Dział Zaopatrzenia

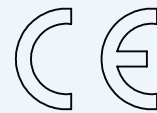
+48 (0...33) 851 67 80, fax: +48 (0...33) 852 10 85 e-mail: zaopatrzenie@fach.pl



TÜVRheinland®
CERT
ISO 9001



Refrigeration



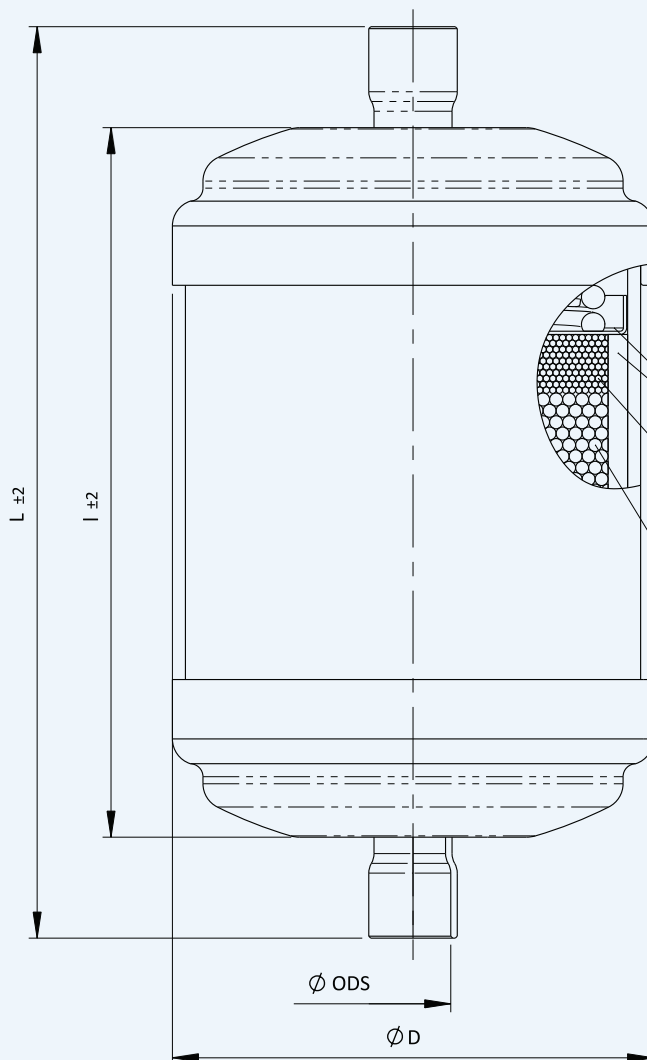
Filter drier

made according to directive
97/23/EC (PED)

FOM ODS

/ Water capacity of liquid refrigerant in
grams at +30°C /

medium	R134a	R22	R404A
type 160	25,8	24	26,4
type 300	49,9	46,5	51,1



/ effective removal mechanical impurities /

/ effective deacidification /

/ effective and rapid removal humidity
and high water absorption /

Refrigeration

FOM ODS INCH

There is a possibility to order the products, customized to the specific customer needs.
Before ordering please agree the color filter-standard color RAL5012 blue.

color	FACH code	Type	∅ ODS	∅ D	L	I	Flow capacity kW		
			inch	mm	mm	mm	R22	R134a	R404A
blue	2007-8102	FOM-032SC	1/4"	49	95,5	65,5	16,2	14,7	10,6
	2007-8112	FOM-052SC	1/4"	59	108,5	78,5	15,9	14,4	10,4
	2007-8113	FOM-053SC	3/8"		118,5		38,5	34,9	25,3
	2007-8122	FOM-082SC	1/4"		128,5	98,5	15	13,6	9,8
	2007-8123	FOM-083SC	3/8"	138,5	37,5		34	24,6	
	2007-8124	FOM-084SC	1/2"	142,5	50	45,3	32,8		
	2007-8132	FOM-162SC	1/4"	76	153	123	14,5	13,2	9,52
	2007-8133	FOM-163SC	3/8"		163		37,5	34	24,6
	2007-8134	FOM-164SC	1/2"		167		55,5	50,3	36,4
	2007-8135	FOM-165SC	5/8"		172	79	71,6	51,8	
	2007-8143	FOM-303SC	3/8"		226	186	37,5	34	24,6
	2007-8144	FOM-304SC	1/2"		230		55,5	50,3	36,4
	2007-8145	FOM-305SC	5/8"	235	79		71,6	51,8	
	2007-8147	FOM-307SC	7/8"	243	94	85,2	61,7		

FOM ODS METRIC

There is a possibility to order the products, customized to the specific customer needs.
Before ordering please agree the color filter-standard color RAL5012 blue.

color	FACH code	Type	∅ ODS	∅ D	L	I	Flow capacity kW		
			[mm]	mm	mm	mm	R22	R134a	R404A
blue	2007-7102	FOM-032S	6	49	95,5	65,5	16,2	14,7	10,6
	2007-7112	FOM-052S	6	59	108,5	78,5	15,9	14,4	10,4
	2007-7113	FOM-053S	10	59	118,5	78,5	38,5	34,9	25,3
	2007-7122	FOM-082S	6	59	128,5	98,5	15	13,6	9,8
	2007-7123	FOM-083S	10	59	138,5	98,5	37,5	34	24,6
	2007-7124	FOM-084S	12	59	142,5	98,5	50	45,3	32,8
	2007-7132	FOM-162S	6	76	153	123	14,5	13,2	9,52
	2007-7133	FOM-163S	10	76	163	123	37,5	34	24,6
	2007-7134	FOM-164S	12	76	167	123	55,5	50,3	36,4
	2007-7143	FOM-303S	10	76	226	186	37,5	34	24,6
	2007-7144	FOM-304S	12	76	230	186	55,5	50,3	36,4

FABRYKA AUTOMATYKI „FACH” Spółka Akcyjna ul. Stawowa 50, 43-400 Cieszyn

tel.: +48 (0...33) 852 25 80 ÷ 84, fax: +48 (0...33) 852 10 85 e-mail: fach@fach.pl

Dział Sprzedaży i Marketingu

Sekcja Kraj tel: +48 (0...33) 851 67 78 – 79, fax: +48 (0...33) 851 67 88 e-mail: sprzedaz@fach.pl

Sekcja export: tel./fax +48 (0...33) 851 67 77 e-mail: marketing@fach.pl

Dział Zaopatrzenia

+48 (0...33) 851 67 80, fax: +48 (0...33) 852 10 85 e-mail: zaopatrzenie@fach.pl



TÜVRheinland®
CERT
ISO 9001

