



Filter drier FOK

Construction:

The filter drier shell is made of steel tube welded together with two cups with thread or solder connections. Thread connections are of nickel coated steel. Solder connections are of copper tubes. The shell is powder painted. The molecular sieve and alumina oxide inside shell is held down by a steel net cup and steel spring. On the outlet of molecular sieve is placed special fibrous material for fine filtration.

Mounting:

The filter driers can be installed to pipe line by flare connections according to DIN 8912 or by soldering. They may be mounted in any position but the vertical position with top feed is highly recommended.

The direction of flow should be always in accordance with the arrow marked on the shell. Leaving the filter drier over a period of time without the protective caps on fittings causes reduction of water capacity.

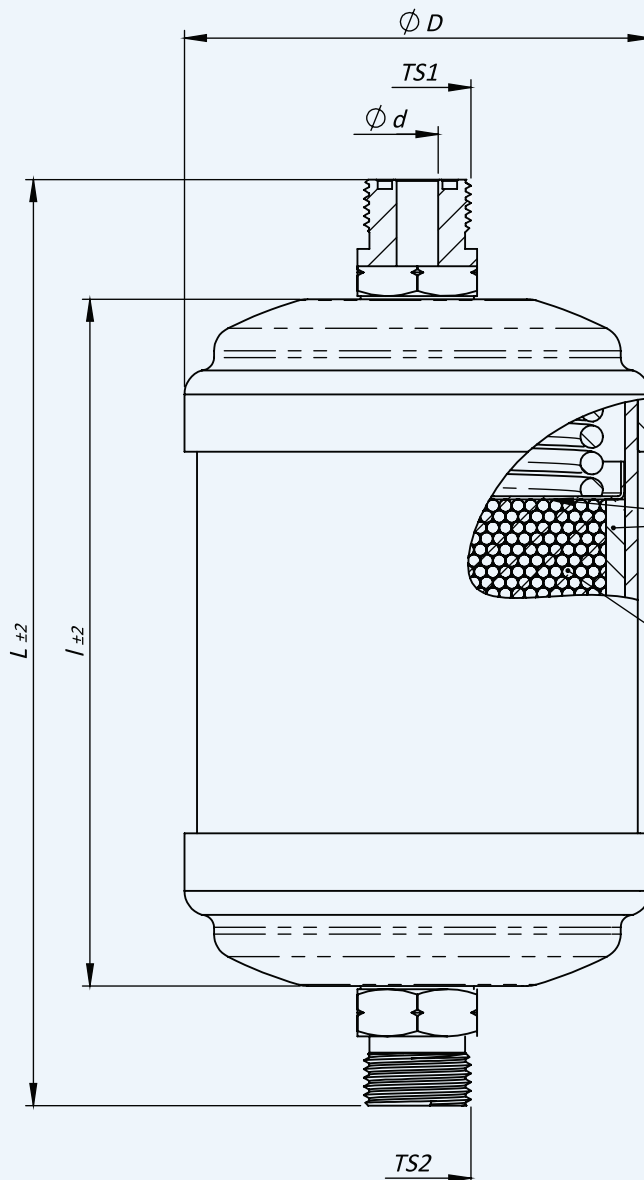
Refrigeration



Filter drier

made according to directive
97/23/EC (PED)

FOK



/ Water capacity of liquid refrigerant in grams at +30°C /

medium	R134a	R22	R404A
type 160	25,8	24	26,4
type 300	49,9	46,5	51,1

/ effective removal mechanical impurities /

/ effective and rapid removal humidity and high water absorption /