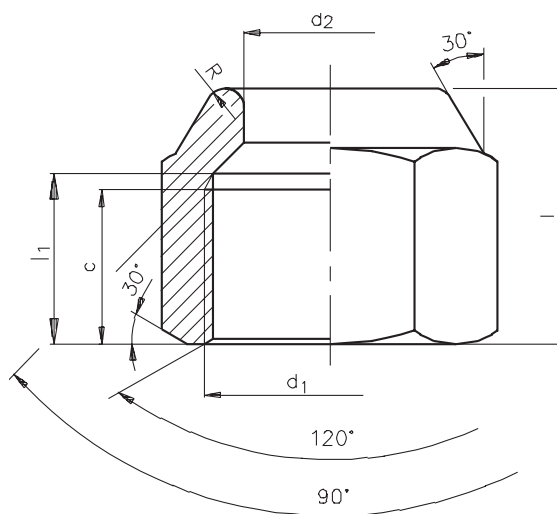


# FLARE NUTS

Code No: see table



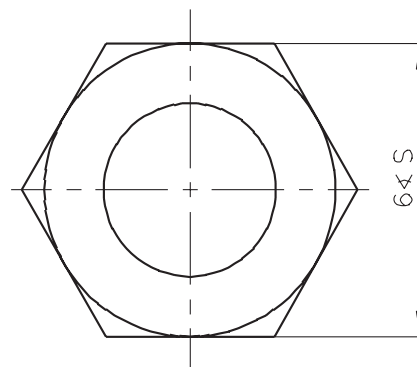
## APPLICATION

The flare nuts are used for connection of copper tubes to flare fittings acc. BN-76/2552-..and DIN-89...

These connections are used throughout the refrigeration and air conditioning.

## CONSTRUCTION

The flare nuts are made of brass or zinc coated steel. All metric and UNF threads meet requirements or ISO or ASA Standards accordingly.



## BRASS METRIC FLARE NUTS

Code No	Type	d1	c	d2	l	R	S	l1
0100-0082	CNM 4	M12x1,5	7	f 6,2	15	1	17	9,5
0100-0061	CNM 6	M14x1,5	8	f 8,2	18	1,6	19	11
0100-0051	CNM 8	M16x1,5	8	f 10,2	18	1,6	22	11
0100-0011	CNM 10	M18x1,5	9	f 12,2	20	2	24	12

Fabryka Automatyki „FACH” Spółka Akcyjna ul. Stawowa 50, 43-400 Cieszyn  
tel.: +48 (0...33) 852 25 80 ÷ 84, fax: +48 (0...33) 852 10 85 e-mail: fach@fach.pl

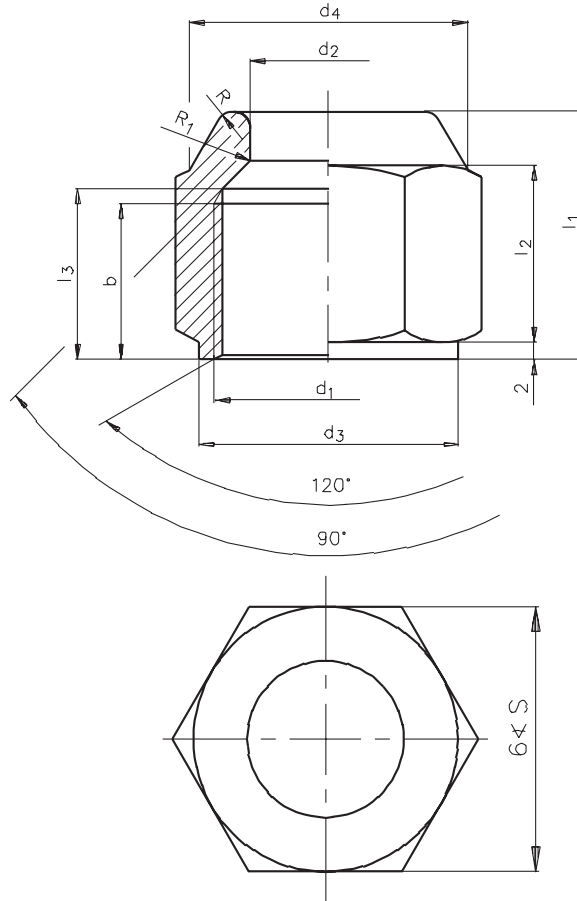
Sales Department:  
Phone: +48 33 851 67 77-78 fax: +48 33 851 67 88 e-mail: marketing@fach.pl

Purchasing Department:  
phone: +48 33 851 67 80 fax: +48 33 852 10 85 e-mail: zaopatrzenie@fach.pl



# FLARE NUTS

Code No: see table



## BRASS UNF FLARE NUTS

d	Code No	d1	d2	d3	d4	b	l1	l2	l3	R	R1	S
1/4"	0100-0143	7/16"-20UNF	6,5	16	17	7	15	9,5	9,5	1	0,6	17
3/8"	0100-0144	5/8"-18UNF	9,7	21	22	8	18	11	11	1,6	0,6	22
1/2"	0100-0145	3/4"-16UNF	12,9	23	24	9	20	14	12	2	1	24
5/8"	0100-0146	7/8"-14UNF	16,1	26	27	10	21	15	13	2	1	27