

# SOLENOID VALVE

## ZE-16 type

Code No: see table

### APPLICATION

The ZE - 16 cut-off solenoid valves can be used to control the flow in positive, fully closed or fully open mode for hydraulic or pneumatic systems, for media specified in technical data. They may be operated by a variety of electrical switches, temperature or pressure controls and other elements used in automatic systems.

### CONSTRUCTION

The ZE - 16 solenoid valves are pilot operated and normally closed. When energized the plunger lifts off and open the pilot orifice. The pressure above the diaphragm is reduced to the outlet pressure of the valve. The resulting pressure differential across the diaphragm lifts the diaphragm off the main port, opening the valve. These valves cannot be manually operated. The valve body and head are made of forged brass. The other parts are of stainless steel and corrosion proof alloys. The diaphragm is of rubber resistant to media the valve is designed for.



### MOUNTING

These valves should be mounted in a vertical position with the coil upward by using two holes at the body bottom and base with two M5x10 screws added to the valve.

The pipe connections of valve have G1/2" inside thread. The flow direction should be in accordance with the arrow marked on the valve body.

Mechanical impurities in the medium may disturb the proper functioning of the valve therefore the proper strainer should be installed ahead of the valve.

After mounting the valve (except of low voltage valves) should be earthed by using the earth terminal.

### TECHNICAL DATA

Port size	16 mm
Maximum medium temperature	70 °C
Maximum ambient temperature	55 °C
Weight	0,9 kg

Type	Code No	Medium	Connection	Voltage	Opening Pressure Diff.		Nominal Pressure	Flow Factor kv <sup>(2)</sup>
				[V]	Δ p min.	Δ p max.		
				50 Hz	MPa	MPa		
ZE - 16	0258-2304	air	G1/2"	230	0,05	1,2	2,5	2,7
		water	G1/2"			0,8		
		oil (1)	G1/2"			0,5		
	0258-4304	air	G1/2"	24		1,2		
		water	G1/2"			0,8		
		oil (1)	G1/2"			0,5		

(1) – oil with viscosity max. 16 mm<sup>2</sup>/s [cSt]

(2) – rate of water flow at 0,1 MPa pressure drop across the valve.

**Fabryka Automatyki „FACH” Spółka Akcyjna** ul. Stawowa 50, 43-400 Cieszyn  
tel.: +48 (0...33) 852 25 80 ÷ 84, fax: +48 (0...33) 852 10 85 e-mail: fach@fach.pl

**Sales Department:**  
Phone: +48 33 851 67 77-78 fax: +48 33 851 67 88 e-mail: marketing@fach.pl

**Purchasing Department:**  
phone: +48 33 851 67 80 fax: +48 33 852 10 85 e-mail: zaopatrzenie@fach.pl



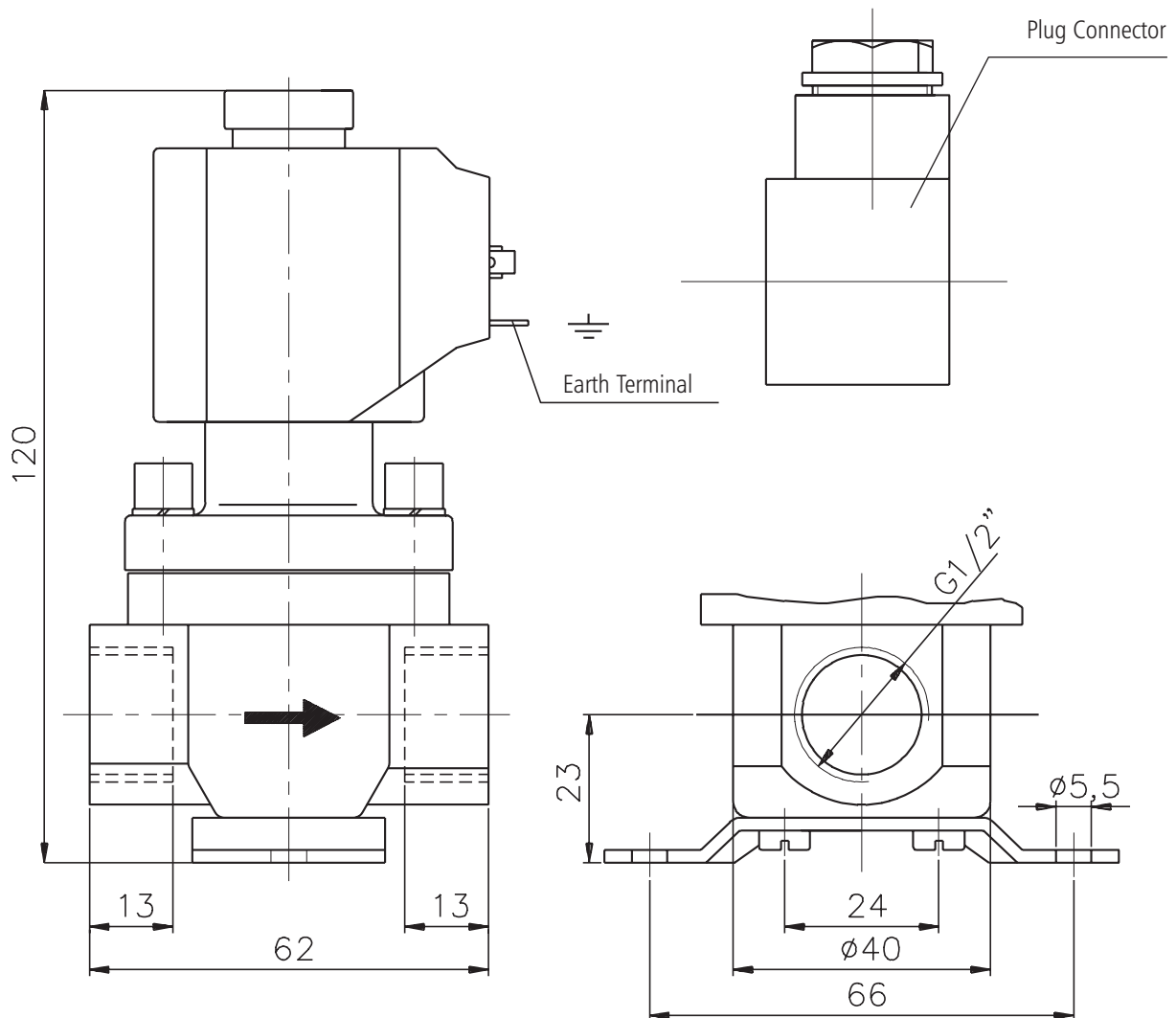
# SOLENOID VALVE

## ZE-16 type

Code No: see table

### ELECTRICAL DATA

Voltage	230 V (+10%)	24 V (+10%)
Frequency	50-60 Hz	50-60 Hz
Power	22VA	22 VA
Type of Duty	continuous S1	continuous S1
Class of protection	I	III
Therm Class	F (155°C)	
Enclosure	IP 65 – Plug Connector to ISO 4400 (DIN 43650)	



Fabryka Automatyki „FACH” Spółka Akcyjna ul. Stawowa 50, 43-400 Cieszyn  
tel.: +48 (0...33) 852 25 80 ÷ 84, fax: +48 (0...33) 852 10 85 e-mail: fach@fach.pl

Sales Department:  
Phone: +48 33 851 67 77-78 fax: +48 33 851 67 88 e-mail: marketing@fach.pl

Purchasing Department:  
phone: +48 33 851 67 80 fax: +48 33 852 10 85 e-mail: zaopatrzenie@fach.pl