

REDUCING PIPE CONNECTOR

3/8" – 1/8"

Code No: 0216-0003

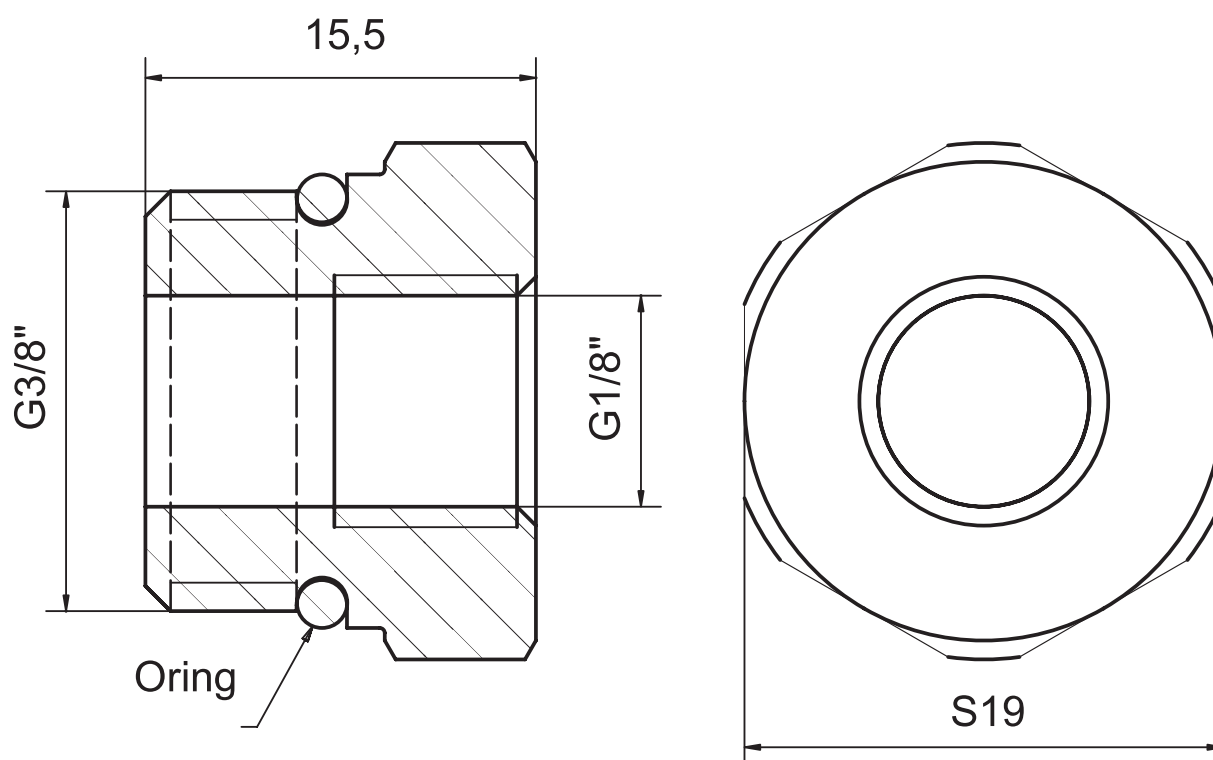


Application

Pipe diameter reducing connector 3/8" – 1/8" is designed for the purposes of sequential injection liquid gas automotive installations. It can, however, be also used for other connections with 3/8" thread, where reduction to 1/8" is required.

Construction

Connector is made of brass. The O-ring seal is made of rubber that is resistant to the impact of liquid gas and petrol oil. On request, the reduction can be manufactured with nickel coating.



Fabryka Automatyki „FACH” Spółka Akcyjna ul. Stawowa 50, 43-400 Cieszyn
tel.: +48 (0...33) 852 25 80 ÷ 84, fax: +48 (0...33) 852 10 85 e-mail: fach@fach.pl

Sales Department:
Phone: +48 33 851 67 77-78 fax: +48 33 851 67 88 e-mail: marketing@fach.pl

Purchasing Department:
phone: +48 33 851 67 80 fax: +48 33 852 10 85 e-mail: zaopatrzenie@fach.pl

