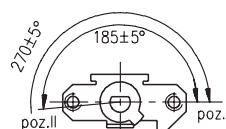
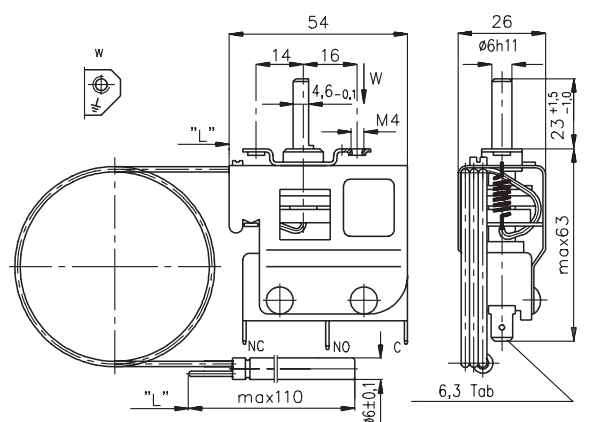
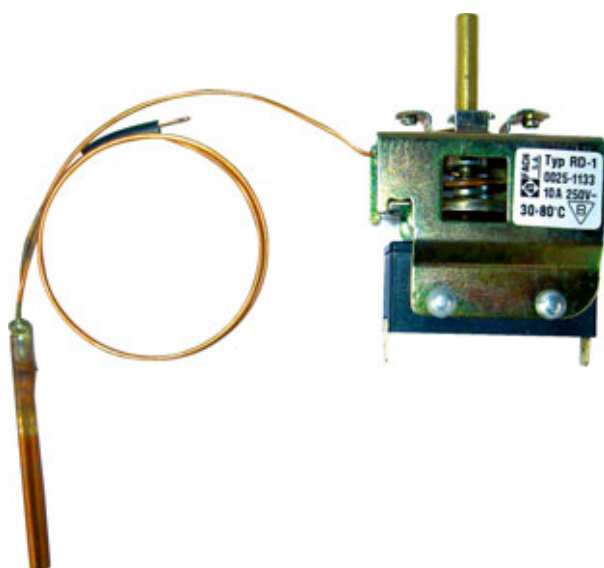


# TEMPERATURE CONTROLS

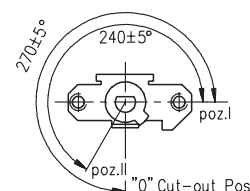
# RD type

Code No: see table



"0" Cut-out Pos.  
Dial Shaft on Pos. I (up clockwise)

RD-1



RD-2

## APPLICATION

RD temperature controls are temperature-operated switches. They are designed for controlling the work of electrical heaters. They cut-out the circuit on temperature increase and automatically cut-in when temperature drop is higher than temperature differential.

Type RD code number 0025-2333 have change-over contact.

## CONSTRUCTION

RD temperature controls are for use in environmental temperatures from -20°C to 55°C. The temperature controls are not encased and are designed for devices of Class 0I and I. All controls have 6,3 mm tabs according to DIN 46244 and optional earth tab. The cut-out temperature is adjusted by the dial shaft. Turning the dial shaft clockwise adjusts higher cut-out temperature. These controls are remote units.

## MOUNTING

These controls can be mounted in any position with two M4 screws. Care should be taken that a possibly best thermal contact exists between bulb and the controlled medium. The earth cable should be connected with the marked tapped M4 hole.

## TECHNICAL DATA

Code number	Temperature Range Temperature cut-out		Temperature e Differential (Fixed)	Capillary Tube Length „L”
	Pos. I	Pos. II		
0025-1133	°C	°C	°C	mm
	80 <sub>s</sub>	30	2,5 do 10	450
0025-1135	80±4	30±4	2,5 do 10	1300
0025-1732	200±10	50±10		1000

Maximum bulb temperature is 20% higher then cut-out temperature on Pos. I.

Fabryka Automatyki „FACH” Spółka Akcyjna ul. Stawowa 50, 43-400 Cieszyn  
tel.: +48 (0...33) 852 25 80 ÷ 84, fax: +48 (0...33) 852 10 85 e-mail: fach@fach.pl

Sales Department:  
Phone: +48 33 851 67 77-78 fax: +48 33 851 67 88 e-mail: marketing@fach.pl

Purchasing Department:  
phone: +48 33 851 67 80 fax: +48 33 852 10 85 e-mail: zaopatrzenie@fach.pl

