

3-WAY SOLENOID VALVES

EZO-TP12R type

Code No: see table

APPLICATION

The 3-way solenoid valve EZO-TP12R type can be used for controlling the air flow in pneumatic pipe installations like pneumatic power cylinders, compressed air tanks etc. It may be operated by a variety of electrical switches.

CONSTRUCTION

This valve is pilot operated with main A-B flow normally closed. When energized the solenoid coil provides a strong magnetic force which pulls a plunger up into the plunger tube. This opens the outlet pilot orifice and closes the inlet pilot orifice. The pressure above the piston is reduced to the outlet pressure of the valve. The resulting pressure differential across the piston lifts the piston up opening the main A-B flow and closing by the auxiliary piston the B-C flow.

Deenergizing the coil resets the piston down. This closes the A-B flow and opens the B-C flow.

The pilot operated system is more efficient than the direct operated and is less energy consuming, but needs a minimum pressure difference across the valve. This valve will not open at a pressure difference lower than 0,1 MPa and over 1 MPa. It is required a minimum 0,3 MPa pressure in the installation for air tightness of the outlet port C. This valve of extra design can be manually controlled by the push button built in the upper part of the coil.

This enables a manual control of the valve in the event of loss of power or a coil failure and is convenient for testing or setting the unit.

The valve has forged brass body, other parts are of stainless steel or corrosion-proof alloys. The valve head rubber is oil resistant.



MOUNTING

These valves should be mounted in a vertical position with the coil upwards. The direction of flow through the valve should be in accordance with the arrow marked on the valve body.

Mounting should be realized by connectors welded on the pipes and screwed to the valve body and ring gaskets.

When the flowing air is mechanically impurified a proper strainer should be installed ahead of the valve.

After mounting the valve body must be earthed using the earth terminal.

TECHNICAL DATA

Maximum medium temperature: +60°C

Maximum ambient temperature: +55°C

Weight: 1,2 kg

Type	Code No	Port Size mm	Medium	Opening Pressure Differential		Nominal Pressure MPa
				Δp min.	Δp max.	
				MPa	MPa	
EZO-TP12R	0220-2006 0220-2002 ⁽¹⁾	12	air	0,3 ⁽²⁾	1,0	1,6

⁽¹⁾ Extra design valve with manual operating.

⁽²⁾ Pressure providing air tightness of the port „C” when the A-B flow is open.

Fabryka Automatyki „FACH” Spółka Akcyjna ul. Stawowa 50, 43-400 Cieszyn
tel.: +48 (0...33) 852 25 80 ÷ 84, fax: +48 (0...33) 852 10 85 e-mail: fach@fach.pl

Sales Department:
Phone: +48 33 851 67 77-78 fax: +48 33 851 67 88 e-mail: marketing@fach.pl

Purchasing Department:
phone: +48 33 851 67 80 fax: +48 33 852 10 85 e-mail: zaopatrzenie@fach.pl



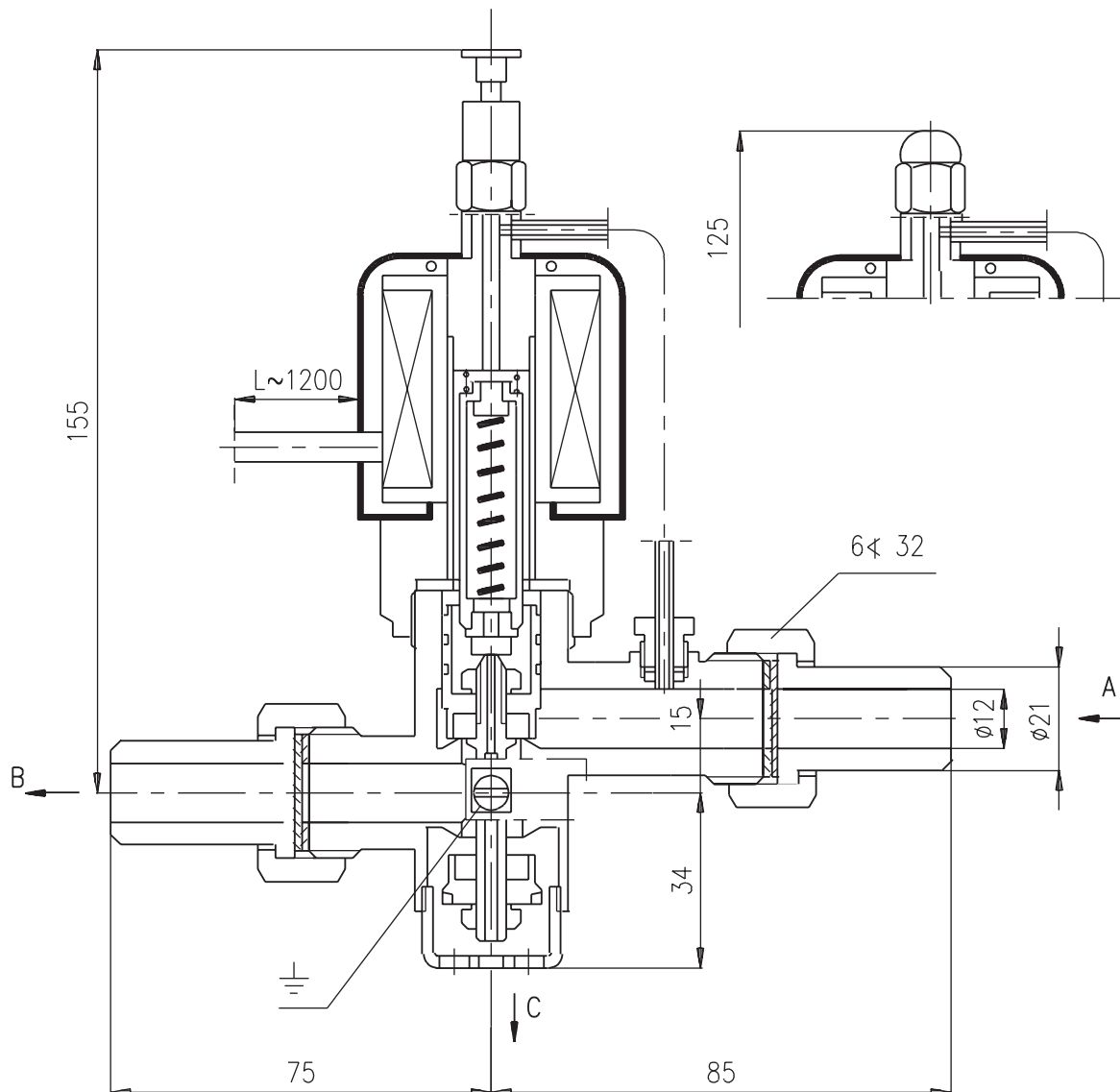
3-WAY SOLENOID VALVES

EZO-TP12R type

Code No: see table

ELECTRICAL DATA

Voltage:	230V ± 10%
Frequency:	50 Hz
Power:	8W
Type of duty:	continuous S1
Class of protection:	I
Enclosure:	IP 30 to IEC 529 or DIN 40050



Fabryka Automatyki „FACH” Spółka Akcyjna ul. Stawowa 50, 43-400 Cieszyn
tel.: +48 (0...33) 852 25 80 ÷ 84, fax: +48 (0...33) 852 10 85 e-mail: fach@fach.pl

Sales Department:
Phone: +48 33 851 67 77-78 fax: +48 33 851 67 88 e-mail: marketing@fach.pl

Purchasing Department:
phone: +48 33 851 67 80 fax: +48 33 852 10 85 e-mail: zaopatrzenie@fach.pl

