

SOLENOID VALVES

Code No: see table

EZM1-W4, EZM2-W, EZM3-WR type



APPLICATION

These solenoid valves are pilot operated and are designed for controlling the flow of water mainly in automatic washing machines, dish washers, etc. They may be operated by temperature controls, pressure switches and other electrical devices used in automatic control systems.

CONSTRUCTION

These solenoid valves are normally closed. When the coil is energized, the plunger lifts off and opens the pilot orifice. The pressure above the diaphragm is reduced to the outlet pressure of the valve.

The resulting pressure differential across the diaphragm lifts the diaphragm off the main port, opening the valve. This system is much more efficient than the direct operated one and is less energy-consuming, but requires a minimum pressure differential across the valve which is given in the table /by smaller values the valve will not operate/.

The EZM2-W type valves have one inlet and two outlet ports controlled by two separate coils. The EZM3-WR type valves have three outlet ports.

The valve body is made of plastic. The remaining parts are made of corrosion-proof metal alloys or plastic. The coils are totally plastic encapsulated.

Impurities contained in the water may disturb the proper functioning of the valve therefore the inlet ports are outfitted with filter pads.

MOUNTING

These valves can be mounted in positions from vertical /with coil upright/ to horizontal. The direction of flow should be in accordance with the arrow marked on the valve body. After mounting the valve should be earthed by using the earth 6,3x0,8 tab terminal. Protection against hand contact to the terminals should provide system in which the valve is installed.

Fabryka Automatyki „FACH” Spółka Akcyjna ul. Stawowa 50, 43-400 Cieszyn
tel.: +48 (0...33) 852 25 80 ÷ 84, fax: +48 (0...33) 852 10 85 e-mail: fach@fach.pl

Sales Department:
Phone: +48 33 851 67 77-78 fax: +48 33 851 67 88 e-mail: marketing@fach.pl

Purchasing Department:
phone: +48 33 851 67 80 fax: +48 33 852 10 85 e-mail: zaopatrzenie@fach.pl



SOLENOID VALVES

EZM1-W4, EZM2-W, EZM3-WR type

Code No: see table

TECHNICAL DATA

Nominal pressure 1 MPa
Medium water

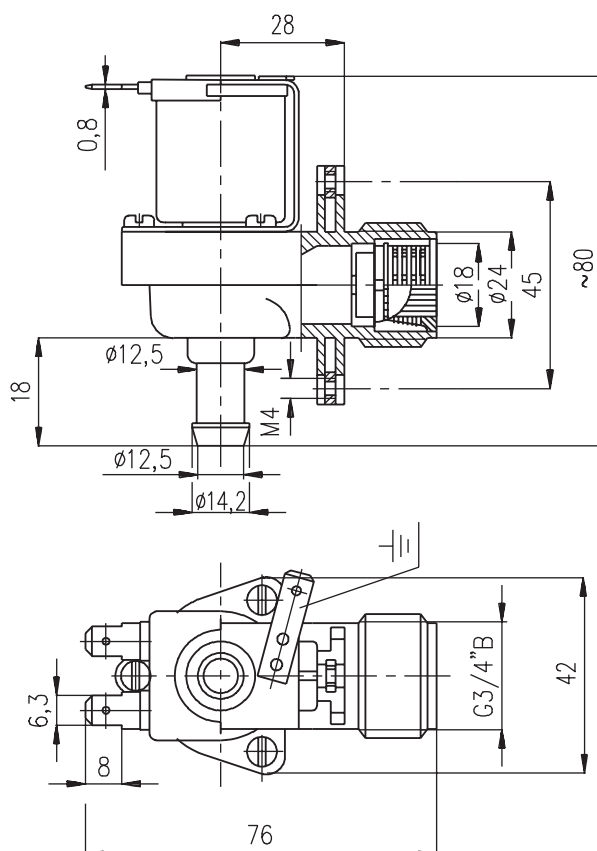
Type	Code No	Opening Pressure Differential		Maximum Medium	Type of Duty	Power	Voltage V		Weight
		Δp min.	Δp max	Temperature			AC	DC	
		MPa	MPa	°C					
EZM1-W4	0230-2008	0,05	1,0	90	short time duty	9	230	-	0,15
EZM2-W	0230-2111	0,05	1,0	35	S3-12/4	6	230	-	0,22
EZM3-WR	0231-2020	0,05	1,0	35	S3-12/4	6	230	-	0,37
EZM3-WR	0231-2021	0,05	1,0	35	S3-12/4	6	230	-	0,37

Valves code No 0231-2021 are equipped with flow control:
Discharge of water at $\Delta p = 0,1$ to 1 MPa is 10 dm³/min.
Valve Code No 0231-2020 is equipped with two flow controls.
Its discharge of water at $\Delta p = 0,1$ to 1 MPa is:
- for port 1 - 3 to 5 dm³/min.
- for port 2 and 3 - 10 ± 2 dm³/min.

ELECTRICAL DATA

Voltage AC 230 $\pm 10\%$ V
Frequency 50 Hz

EZM1-W4



Fabryka Automatyki „FACH” Spółka Akcyjna ul. Stawowa 50, 43-400 Cieszyn
tel.: +48 (0...33) 852 25 80 ÷ 84, fax: +48 (0...33) 852 10 85 e-mail: fach@fach.pl

Sales Department:
Phone: +48 33 851 67 77-78 fax: +48 33 851 67 88 e-mail: marketing@fach.pl

Purchasing Department:
phone: +48 33 851 67 80 fax: +48 33 852 10 85 e-mail: zaopatrzenie@fach.pl



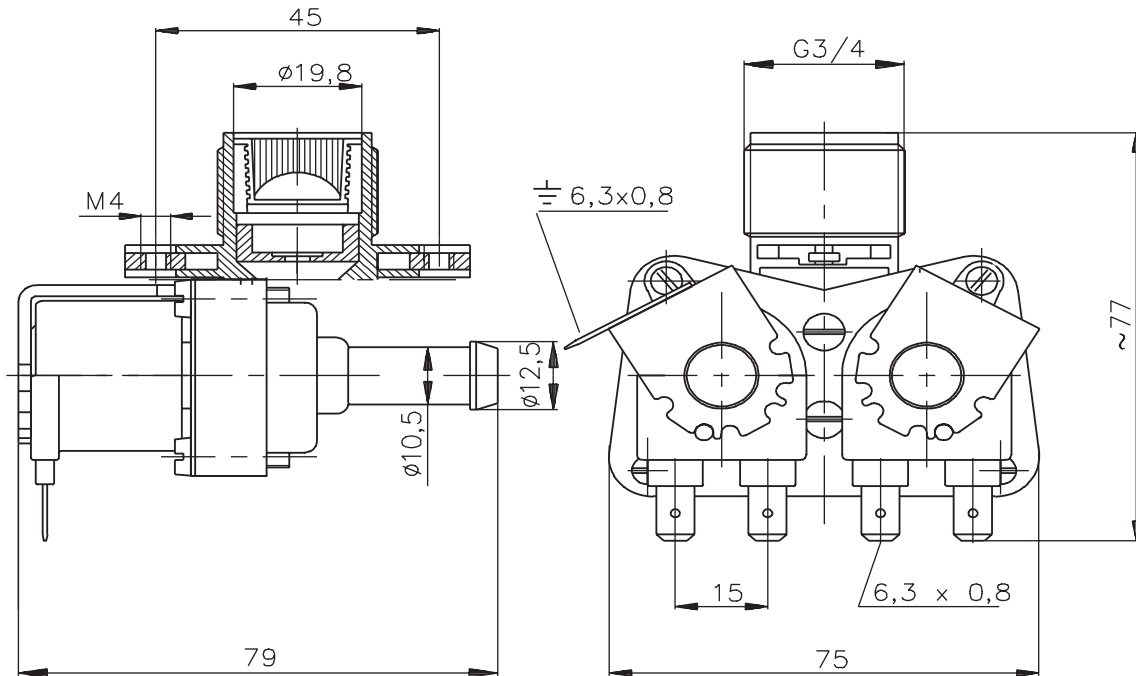
SOLENOID VALVES

Code No: see table

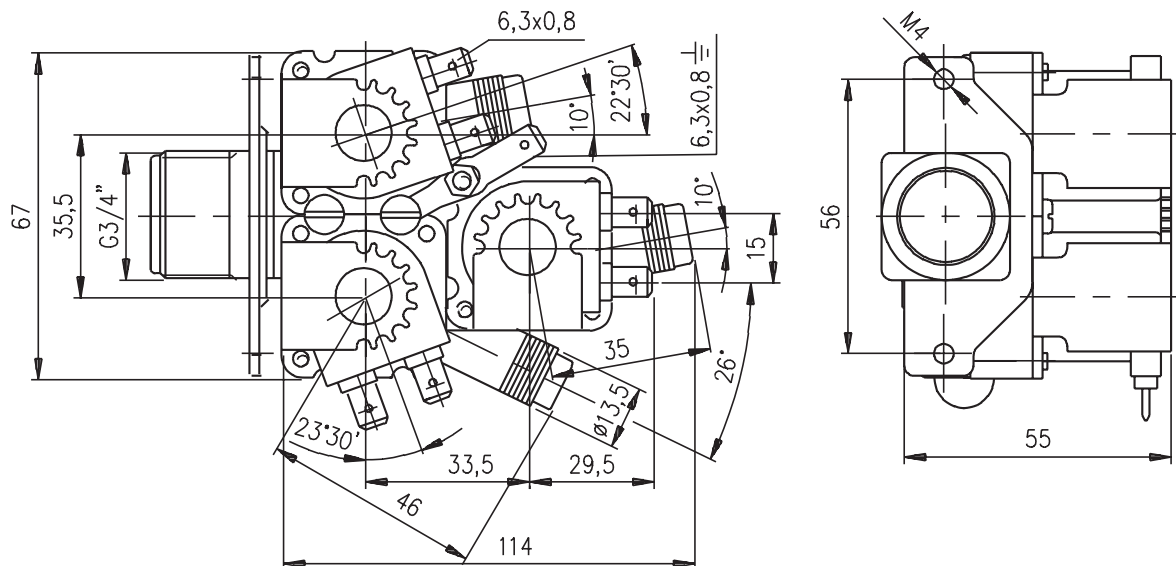
EZM1-W4, EZM2-W, EZM3-WR type

EZM1-W4, EZM2-W, EZM3-WR

EZM2-W 0230-2111



EZM3-WR 0231-2021



Fabryka Automatyki „FACH” Spółka Akcyjna ul. Stawowa 50, 43-400 Cieszyn
tel.: +48 (0...33) 852 25 80 ÷ 84, fax: +48 (0...33) 852 10 85 e-mail: fach@fach.pl

Sales Department:
Phone: +48 33 851 67 77-78 fax: +48 33 851 67 88 e-mail: marketing@fach.pl

Purchasing Department:
phone: +48 33 851 67 80 fax: +48 33 852 10 85 e-mail: zaopatrzenie@fach.pl

